

# CEN & CENELEC PROJEXDATA

## Infopro

### Technical Documentation

Version	Date	Author	Modifications description
<b>1.0</b>	2006-12-20	CMC IT	Based on Technical Specification submitted to NSB contacts for feedback.
<b>2.0</b>	2011-10-24	CCMC/EDP CC	Includes CENELEC notifications + email updated

## Table of Contents

1	Introduction .....	3
1.1	Distribution mechanisms .....	3
1.2	Access management (user or robot) .....	4
2	Helpdesk.....	5
3	What is Infopro?.....	5
4	Table description – IP_NSB.XML .....	6

## 1 Introduction

The PROJEXDATA service allows CEN NSBs and CENELEC NCs to download essential project data in XML format. The data is delivered weekly via Livelink (<http://cen.iso.org>) for CEN PROJEXDATA and via the CENELEC ftp server ([ftp://ftp.cenelec.eu/DB\\_extracts/](ftp://ftp.cenelec.eu/DB_extracts/)) for CENELEC PROJEXDATA.

In addition to the project data, the PROJEXDATA service also covers the **CEN and CENELEC Infopro notifications**. This data is delivered **monthly** via Livelink (<http://cen.iso.org>) and is made available to the CEN NSBs and CENELEC NCs.

This document provides you with a detailed description of the XML file structure of the **Infopro file (IP\_NSB.XML)**.

Please address any questions or remarks concerning this service to [projex@cencenelec.eu](mailto:projex@cencenelec.eu). Your feedback is welcome.

**Note:** The technical documentation on the weekly provision of CEN and CENELEC project data in XML format is available on:

- the CENTC server (Guides to CEN IT applications > 02. Exchange of data > PROJEXDATA): [CEN-CENELEC PROJEXDATA Technical Documentation](#)
- the CENELEC FTP server: [ftp://ftp.cenelec.eu/DB\\_extracts/CEN\\_CLC\\_PROJEXDATA\\_Technical\\_Documentation.pdf](ftp://ftp.cenelec.eu/DB_extracts/CEN_CLC_PROJEXDATA_Technical_Documentation.pdf)
- the CENELEC website (Members & Experts > Manuals):  
[ftp://ftp.cencenelec.eu/CENELEC/UserManuals/CEN\\_CLC\\_PROJEXDATA\\_Technical\\_Documentation.pdf](ftp://ftp.cencenelec.eu/CENELEC/UserManuals/CEN_CLC_PROJEXDATA_Technical_Documentation.pdf)

### 1.1 Distribution mechanisms

The Infopro information is **delivered monthly** and is located in folder:

 [Data Distribution Working Area \PROJEXDATA\\_NSB \PROJEXDATA\\_NSB\\_IP](#)

 **PROJEXDATA\_IP.ZIP:** contains the **IP\_NSB.XML** file as described below and the corresponding XML schema (IP\_NSB.XSD).

The node id of the files remains unchanged as an update is performed the first Friday of each month.

## 1.2 Access management (user or robot)

---

The Infopro PROJEXDATA files on the **CENTC server** (Livelihood) can be retrieved either manually or via an automated processes.

When retrieving files manually from the CENTC server the user is directed to the Single Sign on screen. A bypass address is available for use by automated processes in order to avoid passing through this interface.

The bypass address for the Infopro PROJEXDATA file is: <http://cen.iso.org/livelihood/bypass-sso?func=ll&objId=1391785&objAction=Open&nexturl=%2Flivelihood%2Fbypass%2Dssso%3Ffunc%3Dl%26objId%3D1391359%26objAction%3Dbrowse%26viewType%3D1>

The bypass address can be used with the user accounts or robots accounts. ***It is recommended to use a robot account for the automated retrieval of the PROJEXDATA files.***

CCMC and ISO decided to standardize the naming convention for the user accounts required for 'robots'.

The CEN Global Directory requires that the user account name is in the form of a valid e-mail address.

CCMC will first ask the NSB/NC to create an account in the following format: [<NSB name>.robot@<NSB domain.xx>](mailto:<NSB name>.robot@<NSB domain.xx>) (e.g. [afnor.robot@afnor.org](mailto:afnor.robot@afnor.org)).

Once it is done, CCMC creates this robot user in the CEN Global Directory (the e-mail address will receive the automatic notification with the login details) and gives it access to the PROJEXDATA files on Livelihood.

Please note that a separate robot account is required when using the URLs contained in the URL\_NSb.XML to retrieve standards from eTRANS.

## 2 Helpdesk

- Access management** - Requests or issues to access the **IP PROJEXDATA file** (user or robot) on the CENTC server should be addressed to [projex@cencenelec.eu](mailto:projex@cencenelec.eu).
- General/technical issues** - Please address any questions, remarks or issues concerning this service to [projex@cencenelec.eu](mailto:projex@cencenelec.eu). Your feedback is welcome.

## 3 What is Infopro?

The **Information Procedure on Standards (Infopro)** is also called Notification Procedure (**Directive 98/34/EC**).

According to this procedure, national bodies are requested to notify any new national standardization work to CCMC. The new work should be notified at the earliest possible stage at which the definition of the project has reached some stability.

The aim of the procedure is to leave enough time to interested parties established in other Member states to be informed of the project and to react.

Notification of new work should take place before the public enquiry is launched. Voting periods are usually rather short (a few weeks) and considering the time needed to reach the interested experts, notifications at enquiry stage do not enable the original aim of the system to be met and are considered as late notifications.

Any new subject to result in a national standard (except work identical to European or international work) started at national level has to be notified. Amendments to/revisions of existing standards have also to be notified unless identical to European or international work. **Only one notification is required per project unless major changes are identified.**

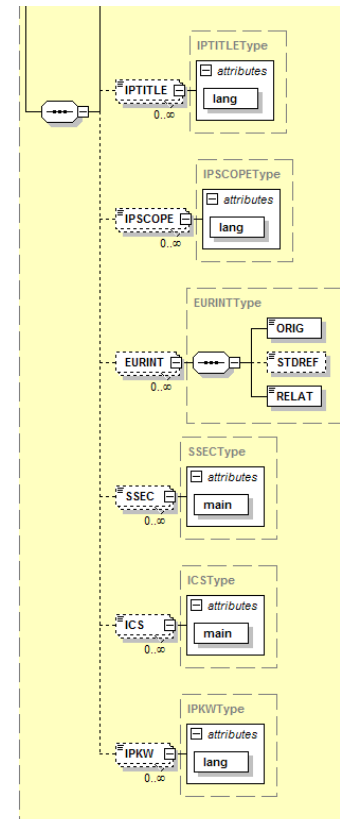
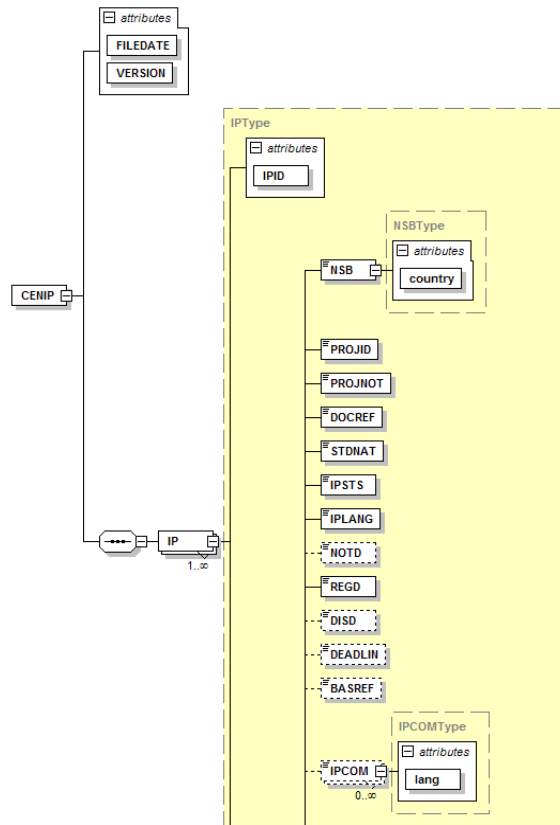
See [CEN BOSS](#) for further details.

## 4 Table description – IP\_NSB.XML

The file **IP\_NSB.XML** contains all the InfoPro notifications (CEN & CENELEC) registered at CCMC in the previous calendar month.

**Note:** the file is linked to the Version 4.0 look-up table (RD\_NSB.XML) for the ICS classification and Sector-Subsector information (see below for details).

### Schema



**Description**

Element Name		Field name	Field description	Examples	Technical details
CENIP					Contains multiple IP elements
FILEDATE		File date	Date on which the file was generated	2011-10-21	
VERSION		Version number	PROJEXDATA Version number	1	
IP					Contains information on one InfoPro notification
IPID		Notification ID	Unique identifier of the notification generated by the CCMC database	133990, 134024, 133852	
NSB		Organization acronym	Contains the acronym of the organization (simple content) and country (attribute) submitting the notification	UNI, AENOR, UTE, CEB-BEC	
	NSB/country	NSB/NC country	Country code of the organization submitting the notification	IT, ES, FR, BE	
PROJID		Project identification	Alpha-numeric code uniquely identifying a project as provided by the originating NSB/NC	1416, 133856, 10144403, P0029298, FA173012	
PROJNOT		Project notification	Sequence number of notifications stored in the CCMC database on the same national project	1, 2	
DOCREF		Document identifier	Reference of the document at the time of notification	NEN 8112:2011 Concept nl, NF C 18-510, NBN C 34-100, SR 1848-3:2011	
STDNAT		Standard nature	Specification of the nature of the future national publication	Standard, other	<b>Values:</b> - standard - other

2011-10-24

Element Name		Field name	Field description	Examples	Technical details
IPSTS		Project status	Specifies the stage of progress at the time of notification		<b>Values:</b> 1 - Project established 2 - Draft for public enquiry 3 - Published standard 4 - Merging 5 - Splitting 6 - Not Active
IPLANG		Language of project	Code indicating the language of the standard project (ISO 639)	de, fr, en, it, es, ro, fi	
NOTD		Notification date	Date at which the NSB/NC has notified CCMC of the project		
REGD		Registration date	Date of registration of the notification in the CCMC database		
DISD		Draft issue date	Date of submission of a national draft standard to public enquiry		
DEADLIN		Latest date for comments	Deadline for submission of comments on a national draft standard circulated for public enquiry		
BASREF		Basis national reference	Identifies one (or more) national technical document(s) which are revised/amended and are the subject of the notification		
IPCOM		Comment	Contains national comment (simple content) and language (attribute)		
	IPCOM/lang	Language of comment	Language code indicating the language of the comment (ISO 639)	de, fr, en, it, es, ro, fi	



Element Name		Field name	Field description	Examples	Technical details
IPTITLE		Title	Contains the title (simple content) and language (attribute) of the national project notified		
	<b>IPTITLE/lang</b>	Language of title	Language code indicating the language of the title of the national project (ISO 639)	de, fr, en, it, es, ro, fi	
IPSCOPE		Scope	Contains the scope (aim of the project, summary of the content, field of application) (simple content) and language (attribute) of the national project notified		
	<b>IPSCOPE/lang</b>	Language of scope	Language code indicating the language of the scope of the national project (ISO 639)	de, fr, en, it, es, ro, fi	
EURINT		European/international relationship	Contains information concerning related European and International standards		
	<b>ORIG</b>	Originating level	Originating level (European or international)		<b><u>Values:</u></b> 1 - European 2 - International
	<b>STDREF</b>	Non national standard reference	Designates the international or European work to which the national project is related.		
	<b>RELAT</b>	Relationship	Identifies the relation between the national project and European and International standards		<b><u>Values:</u></b> 1 - Identical 2 - Modified 3 - Not equivalent

Element Name		Field name	Field description	Examples	Technical details
<b>SSEC</b>		Subsector	Contains Sector/Subsector classification code (simple content) allocated to the national project and flag indicating if it is the main code (attribute)	B03, C01, N11, S05, T99, U09, V26, W09, X02, Z03	Links to RD_NSB with NAME = 'Sector/Subsector' SSEC=RD_NSB.RDD RD_NSB.DESC contains the description of the code RD_NSB.LANG contains the language of the description
	<b>SSEC/main</b>	Main subsector	Is the main (flag) subsector for the national project		
<b>ICS</b>		ICS	Contains ICS classification code allocated to the national project (simple content) and flag indicating if it is the main code (attribute)	97.100.30, 13.220.10, 91.060.10, 11.020, 03.120.10	Links to RD_NSB with NAME = 'ICS' SSEC=RD_NSB.RDD RD_NSB.DESC contains the description of the code RD_NSB.LANG contains the language of the description
	<b>ICS/main</b>	Main ICS	Is the main (flag) ICS code for the national project		
<b>IPKW</b>		Keyword	Contains the keyword (simple content) and language (attribute)		
	<b>IPKW/lang</b>	Language of keyword	Language code indicating the language of the keyword (ISO 639)	de, fr, en, it, es, ro, fi	